

**RV-460/4 THE VICTORIAN 4 COLUMN 460**  
**RV-760/4 THE VICTORIAN 4 COLUMN 760**

Instantly recognisable, we've created the Victorian 4 column radiator by taking a mould of an original Ideal Standard Radiator from the National Radiator Company.

Unlike the Neo-Classic style, the Victorian has a flat foot on each leg section that helps to prevent damage to floor coverings in the home by spreading its weight more evenly.



**Arroll**

THE VICTORIAN 4 COLUMN 460

**RADIATOR DIMENSIONS**

Leg section height:	460 mm
Middle section height:	385 mm
Section length:	60 mm
Radiator depth:	145 mm

**INLET & EXIT**

Bottom inlet to floor:	120 mm
Top inlet to floor:	420 mm
Pipe centres to skirting board:	72.5 mm

**HEAT OUTPUT PER SECTION**

Delta $\Delta T$ 50°C:	57 Watts / 196 BTUs
Delta $\Delta T$ 60°C:	73 Watts / 247 BTUs

**RADIATOR WEIGHT**

Empty weight per leg section:	3.8 KG
Empty weight per middle section:	3.3 KG
Filled weight per leg section:	4.5 KG
Filled weight per middle section:	4.0 KG

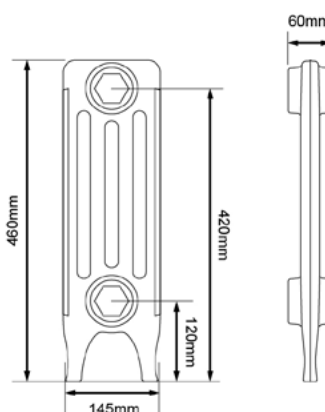
**INTERNAL VOLUME**

Leg section	0.7 L
Middle section	0.7 L

\*All measurements and sizes are approximate.

**Terms & Conditions**

It is the policy of Arroll Limited to allow a 4% +/- tolerance on all measurements and sizes provided. It is not recommended that plumbers fit pipe centres prior to the arrival & inspection of the radiator. Warranty is subject to the installation of the radiator in accordance to the fitting instruction supplied. The Arroll name including its trademark is registered property of Arroll Limited, Belfast.



RV-460/4 / RV-760/4 THE VICTORIAN 4 COLUMN 460 & 760

**RV-460/4 THE VICTORIAN 4 COLUMN 460**  
**RV-760/4 THE VICTORIAN 4 COLUMN 760**

Instantly recognisable, we've created the Victorian 4 column radiator by taking a mould of an original Ideal Standard Radiator from the National Radiator Company.

Unlike the Neo-Classic style, the Victorian has a flat foot on each leg section that helps to prevent damage to floor coverings in the home by spreading its weight more evenly.



**Arroll**

THE VICTORIAN 4 COLUMN 760

**RADIATOR DIMENSIONS**

Leg section height:	760 mm
Middle section height:	685 mm
Section length:	60 mm
Radiator depth:	145 mm

**INLET & EXIT**

Bottom inlet to floor:	120 mm
Top inlet to floor:	720 mm
Pipe centres to skirting board:	72.5 mm

**HEAT OUTPUT PER SECTION**

Delta $\Delta T$ 50°C:	92 Watts / 313 BTUs
Delta $\Delta T$ 60°C:	115 Watts / 395 BTUs

**RADIATOR WEIGHT**

Empty weight per leg section:	6.1 KG
Empty weight per middle section:	6.0 KG
Filled weight per leg section:	7.2 KG
Filled weight per middle section:	7.1 KG

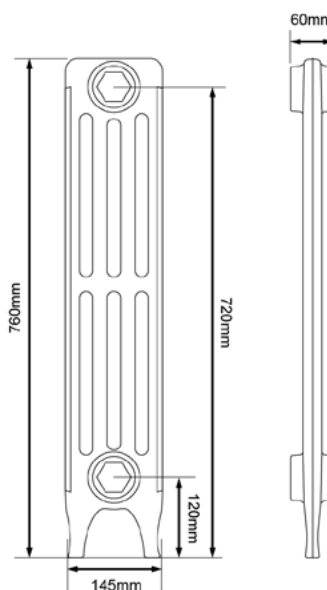
**INTERNAL VOLUME**

Leg section	1.1 L
Middle section	1.1 L

\*All measurements and sizes are approximate.

**Terms & Conditions**

It is the policy of Arroll Limited to allow a 4% +/- tolerance on all measurements and sizes provided. It is not recommended that plumbers fit pipe centres prior to the arrival & inspection of the radiator. Warranty is subject to the installation of the radiator in accordance to the fitting instruction supplied. The Arroll name including its trademark is registered property of Arroll Limited, Belfast.



RV-460/4 / RV-760/4 THE VICTORIAN 4 COLUMN 460 & 760