

PRB-470 THE ROCOCO 3 COLUMN 470
PRB-765 THE ROCOCO 3 COLUMN 765
PRB-960 THE ROCOCO 3 COLUMN 960

The Rococo 3 Column available in 3 different heights but with a greater depth than its sister model. The Rococo 3 Column provides great heat output, alongside its beautiful scroll detail provides an excellent addition to your home.

The Rococo 3 Column complements the Rococo 1 Column, the Parisian 2 Column and the Montmartre cast iron radiators.



Arroll

THE ROCOCO 3 COLUMN 470

RADIATOR DIMENSIONS

Leg section height:	470 mm
Middle section height:	412 mm
Section length:	78 mm
Radiator depth:	250 mm

INLET & EXIT

Bottom inlet to floor:	105 mm
Top inlet to floor:	410 mm
Pipe centres to skirting board:	125 mm

HEAT OUTPUT PER SECTION

Delta ΔT 50°C:	95 Watts / 324 BTUs
Delta ΔT 60°C:	119 Watts / 409 BTUs

RADIATOR WEIGHT

Empty weight per leg section:	8.1 KG
Empty weight per middle section:	6.6 KG
Filled weight per leg section:	9.9 KG
Filled weight per middle section:	8.4 KG

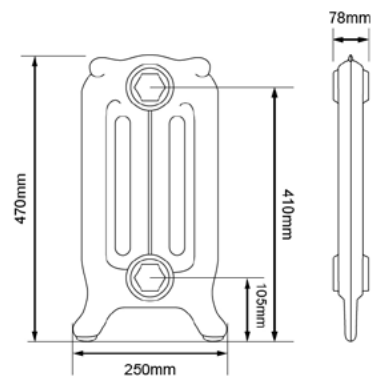
INTERNAL VOLUME

Leg section	1.8 L
Middle section	1.8 L

*All measurements and sizes are approximate.

Terms & Conditions

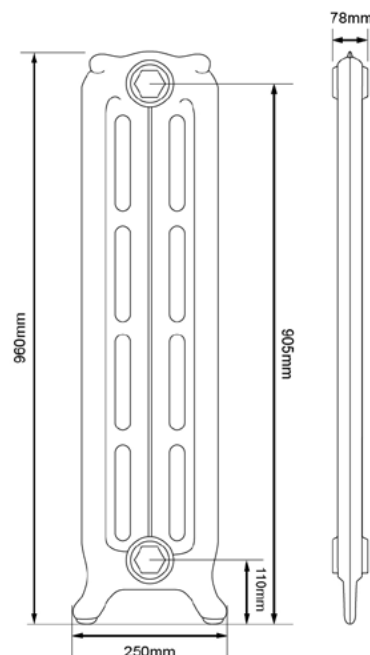
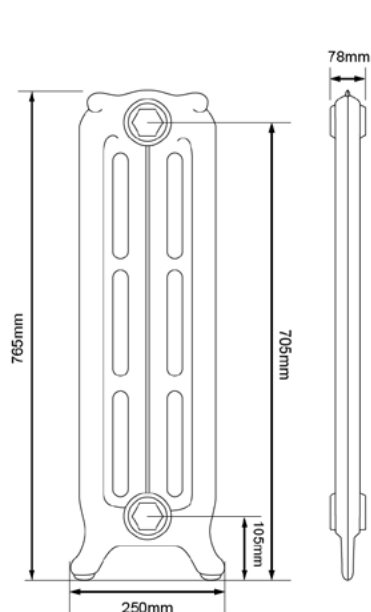
It is the policy of Arroll Limited to allow a 4% +/- tolerance on all measurements and sizes provided. It is not recommended that plumbers fit pipe centres prior to the arrival & inspection of the radiator. Warranty is subject to the instillation of the radiator in accordance to the fitting instruction supplied. The Arroll name including its trademark is registered property of Arroll Limited, Belfast.



PRB-470 / PRB-765 / PRB-960 THE ROCOCO 3 COLUMN 470, 765 & 960

PRB-470 THE ROCOCO 3 COLUMN 470
PRB-765 THE ROCOCO 3 COLUMN 765
PRB-960 THE ROCOCO 3 COLUMN 960

Arroll



THE ROCOCO 3 COLUMN 765

RADIATOR DIMENSIONS

Leg section height:	765 mm
Middle section height:	707 mm
Section length:	78 mm
Radiator depth:	250 mm

INLET & EXIT

Bottom inlet to floor:	105 mm
Top inlet to floor:	705 mm
Pipe centres to skirting board:	125 mm

HEAT OUTPUT PER SECTION

Delta ΔT 50°C:	187 Watts / 638 BTUs
Delta ΔT 60°C:	236 Watts / 806 BTUs

RADIATOR WEIGHT

Empty weight per leg section:	13.0 KG
Empty weight per middle section:	11.7 KG
Filled weight per leg section:	16.0 KG
Filled weight per middle section:	14.7 KG

INTERNAL VOLUME

Leg section	3.0 L
Middle section	3.0 L

*All measurements and sizes are approximate.

Terms & Conditions

It is the policy of Arroll Limited to allow a 4% +/- tolerance on all measurements and sizes provided. It is not recommended that plumbers fit pipe centres prior to the arrival & inspection of the radiator. Warranty is subject to the installation of the radiator in accordance to the fitting instruction supplied. The Arroll name including its trademark is registered property of Arroll Limited, Belfast.

THE ROCOCO 3 COLUMN 960

RADIATOR DIMENSIONS

Leg section height:	960 mm
Middle section height:	902 mm
Section length:	78 mm
Radiator depth:	250 mm

INLET & EXIT

Bottom inlet to floor:	110 mm
Top inlet to floor:	905 mm
Pipe centres to skirting board:	125 mm

HEAT OUTPUT PER SECTION

Delta ΔT 50°C:	219 Watts / 747 BTUs
Delta ΔT 60°C:	276 Watts / 944 BTUs

RADIATOR WEIGHT

Empty weight per leg section:	16.5 KG
Empty weight per middle section:	15.2 KG
Filled weight per leg section:	20.2 KG
Filled weight per middle section:	18.9 KG

INTERNAL VOLUME

Leg section	3.7 L
Middle section	3.7 L

*All measurements and sizes are approximate.

PRB-470 / PRB-765 / PRB-960 THE ROCOCO 3 COLUMN 470, 765 & 960