



Picture for Bath style reference only

## L-08 THE LORRAINE

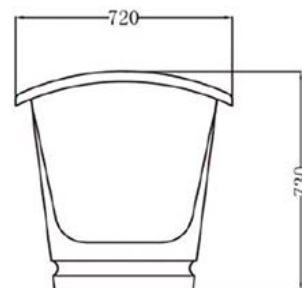
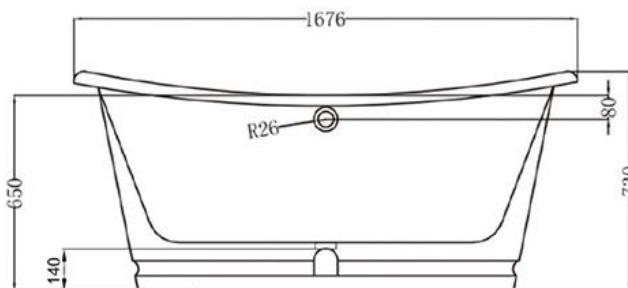
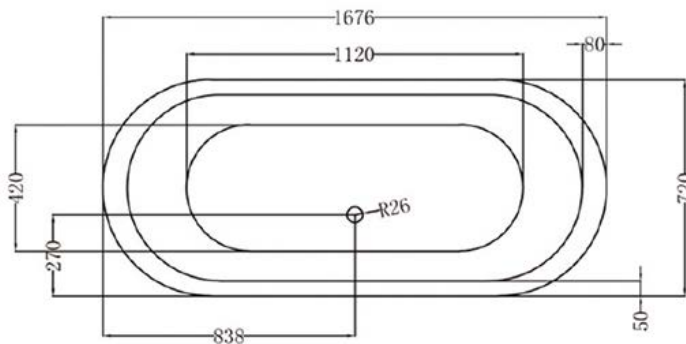
The Lorraine is our flagship bath and is inspired by 19th Century French design with a modern twist. Manufactured to the highest quality that is standard in all our products.

The Lorraine is made from cast iron with the exterior wrapped in high polished stainless steel. This bath adds the final touch to any bathroom interior, modern or traditional.

### L-08 THE LORRAINE TECHNICAL SPECIFICATION

#### BATHTUB

<b>Size:</b>	1676 × 720 × 730 mm
<b>Material:</b>	Enamelled cast iron
<b>Standard Finish:</b>	Stainless Steel Skirt Exterior
<b>Options:</b>	No tap holes
<b>Weight:</b>	210 KG
<b>Water Capacity:</b>	218 L



#### Terms & Conditions

The information supplied uses approximate measurements within a tolerance of +/- 4%. Images are property of Arroll Limited, Belfast.